

Weighing equipments and scales

Uvitem has included the supply of a wide range of weighing equipments.



MODEL MCS

Features:

- Complete weighing balance
(platform + column + display)
- Stainless steel plate
- 3 different platform dimensions
- Capacities from 30 to 600 kg
- Steel (S and L) or aluminium (M) frame

- Indicator with IP44 protection
- Backlit LCD display
- Rechargeable internal battery
- Limit function
- Counter function
- Accumulation function



Model MCS - Mono-cell scale with indicator				
Reference	Capacity (kg)	Fraction (g)	Plate dimensions (mm)	Height (mm)
MCS30S	30	2	350x450	900
MCS60S	60	5	350x450	900
MCS60M	60	5	420x520	900
MCS150M	150	10	420x520	900
MCS300M	300	20	420x520	900
MCS600L	600	50	600x800	900

Reference	Accessory Description
MCS232	RS.232 outlet for models MCS150M and MCS300M

MODEL CWP

Features:

- One cell weighing machine with indicator
- Stainless steel and aluminium cell
- Backlit LCD display
- 6 digits of 25.4 mm
- IP66 Protection

- Limit function with acoustic sign
- Output RS.232
- Rechargeable internal battery 100 hour duration
- Adjustable inclination of indicator



DETAIL OF DISPLAYS

MODEL SC-1

WEIGHT-TARE-PIECE COUNTER SCALE 6000 Divisions

- INOX casing
- Display: 6 digits of 7 red segments
- Configuration and adjustment by keyboard
- Frontal ON / OFF button
- Communication by means of RS-232 serial interface
- Power supply from net or internal battery (optional)



MODEL SC-4

WEIGHT-TARE-PIECE COUNTER SCALE 6000 Divisions

- INOX casing
- Display: 6 digits of 7 red segments
- Configuration and adjustment by keyboard
- Frontal ON / OFF button
- Communication by means of RS-232 serial interface
- Power supply from net or external battery (optional)
- Suitable for bench scale and wall scales



MODEL SC-MIN

WEIGHT-TARE-PIECE COUNTER SCALE 6000 Divisions

- INOX casing
- Display: 6 digits of 7 red segments
- Configuration and adjustment by keyboard
- Frontal ON / OFF button
- Communication by means of RS-232 serial interface
- Power supply from net



MODEL UVI-EEXD

WEIGHT-TARE-PIECE COUNTER SCALE 6000 Divisions

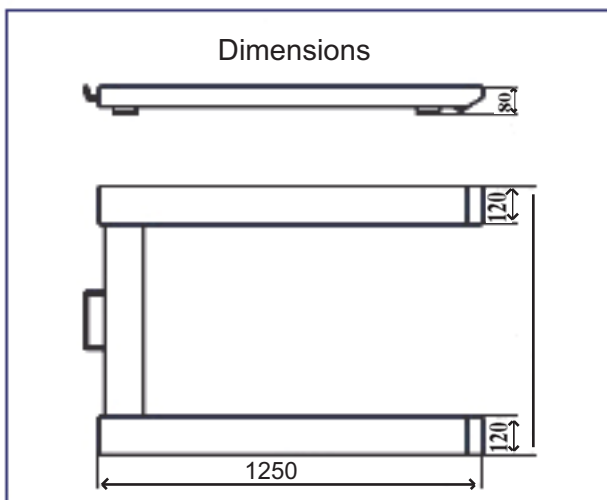
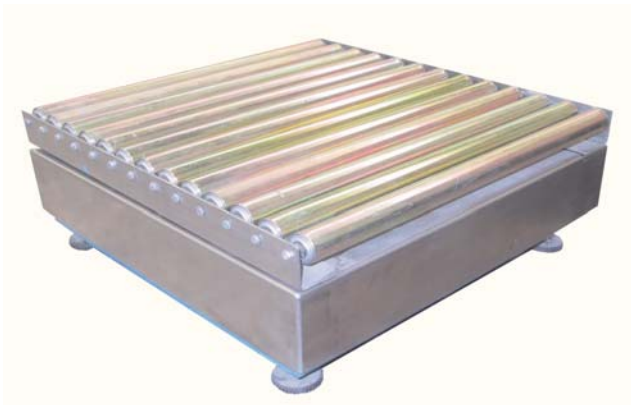
- Eexd casing
- 5 digits high bright screen
- Configuration and adjustment by keyboard
- Lateral ON / OFF switch
- Communication by means of RS-232 serial interface (optional)
- Power supply from net



MODEL BTM

Features:

- One cell platform
- Dimensions: 400x400, 600x600 and 800x800 mm
- Capacity: from 30 to 600 kg
- Load cells with test certificate OIML R-60 C3



Three different models available:

1. Steel frame and stainless steel plate. HBM aluminium load cell
2. Stainless steel frame. Stainless steel plate. HBM aluminium load cell
3. Stainless steel frame. Stainless steel plate. Stainless steel Giropès load cell.

IP Protection		
Platform (mm)	Load cell	Load cell
400x400	IP65	Ex
600x600	IP65	Ex
800x800	IP67	Ex

PALLET SCALE MODEL BPS

Features:

- Pallet scale platform with 4 load cells.
- 3 options:
 1. Painted
 2. Hot galvanized
 3. Stainless steel
- 2 options for steel load cells for painted and galvanized pallet scales
 1. Utilcell load cell model 350 OIML R-60 C3
 2. Zemic load cell model H8C OIML R-60 C
- The stainless steel pallet scale includes stainless steel load cell HBM model HLC with IP68 protection. Includes test OIML R-60 C3.
- Stainless steel junction box with protection IP67

