

Self-cleaning Filters

Uvitem has include in the line
of products a wide range of
SELF-CLEANING FILTERS

- AUTOMATIC OPERATION
- PNEUMATIC DRIVE
- FILTERING RANGE:
25/300 MICRON
- VISCOSITY:
UP TO 1.000.000 CPOISES
- WORKING PRESSURE:
10/20 KG/CM²
- FLOW:
UP TO 45 M³ /H
- WORKING TEMPERATURE:
MAXIMUM 200ºbaC
- MATERIAL:
AISI 304 / AISI 316
- GASKET:
BUNA-EPDM-VITON-PTFE





**MODEL UVI FALN
40-304-CM-B**



**MODEL UVI FALN
50-304-CM-B**



**MODEL UVI FALN
80-304-CM-B**

- Automatically cleaning, filtered fluid automatically exiting.
- Eliminated media disposal costs, no bag, no cartridge.
- Automatic mechanically operation, reduced or eliminated operator intervention.
- Pneumatic driven, no need of electric power, safe, reliable, economic.
- Multi-flow rate available, accommodate a vast range of your application.
- Wide applications, mainly for high viscosity, corrosive liquid, viscosity up to 1000000cp.

General Features	UVI FALN 40-304-CM-B	UVI FALN 50-304-CM-B	UVI FALN 80-304-CM-B
100um Max flow rate (m3)	0.45 - 6.8 m3/h	2.27 - 13.6 m3/h	6.8 - 45.4 m3/h
Filtration Surface	722 cm2	1703 cm2	3935 cm2
Pressure, maximum	21 bar	10 bar (standard)	10 bar (standard)
Temperature, maximum	204 °C	204 °C	204 °C
Total Volumetric Capacity	3.5 liters	14.8 liters	41.6 liters
Purge Chamber Capacity	119 ml	0.74 liters	6 liters
Air for Actuator Drive, min.	8.5 m3/h (4 bar)	8.5 m3/h (4 bar)	8.5 m3/h (4 bar)
Single Unit Weight	16 kg	34 kg	97.5 kg
Service Height	1556 mm	1760 mm	2591 mm

Uvitem

Ultravioleta, Tecnología
y Maquinaria, S.L.

Self-cleaning Filters

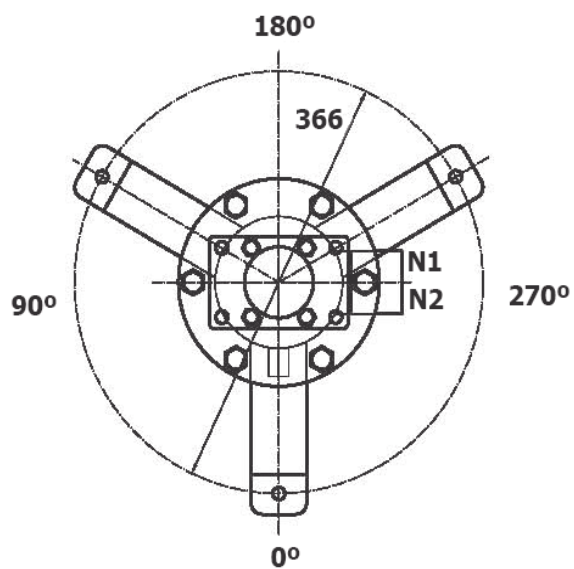
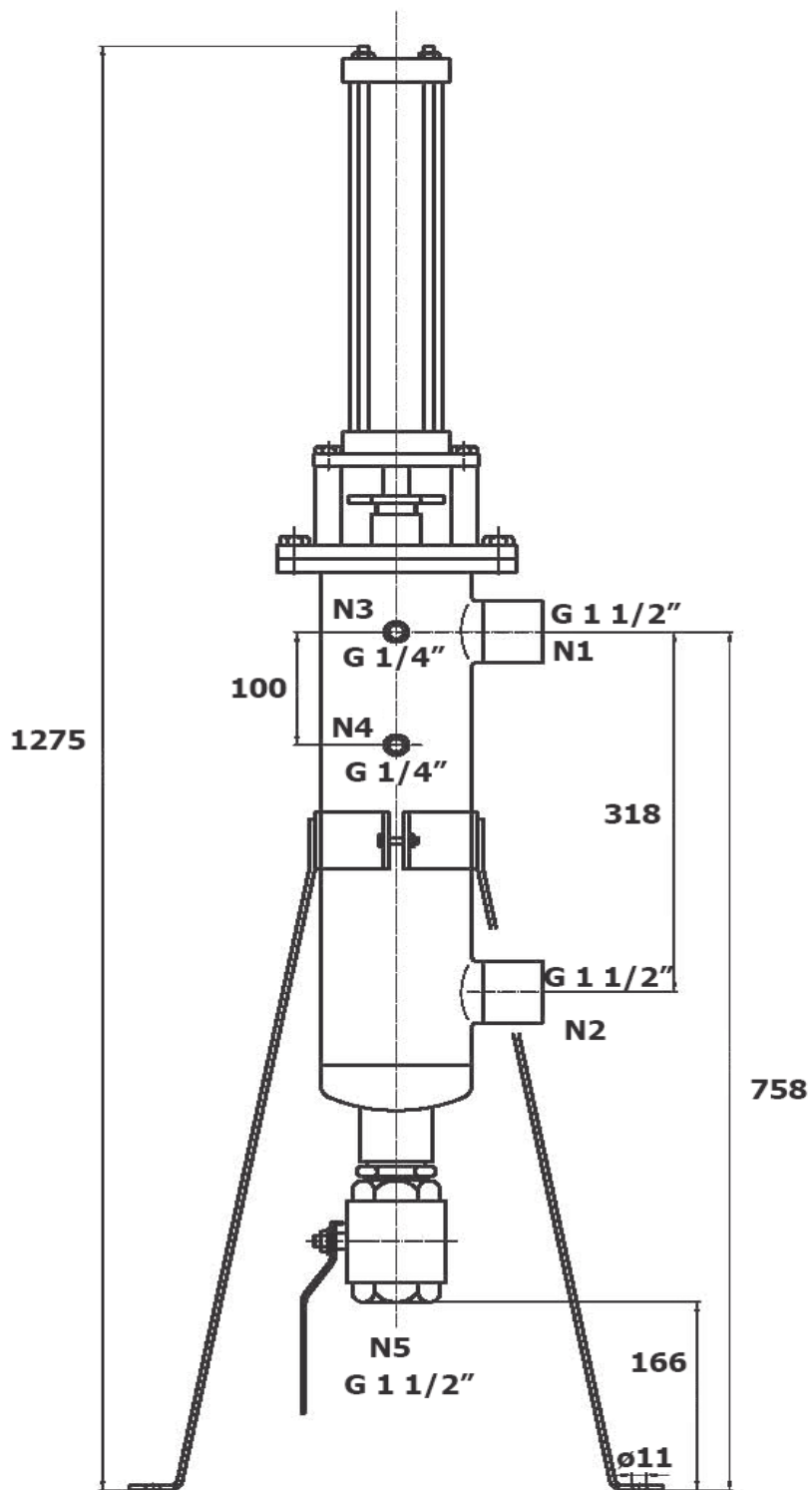
Uvitem has include in the line
of products a wide range of
SELF-CLEANING FILTERS



**MODEL
UVI FALN
40-304-CM-B**

FLOW from 0'5 to 7 m³/h





Uvitem

Ultravioleta, Tecnología
y Maquinaria, S.L.

Self-cleaning Filters

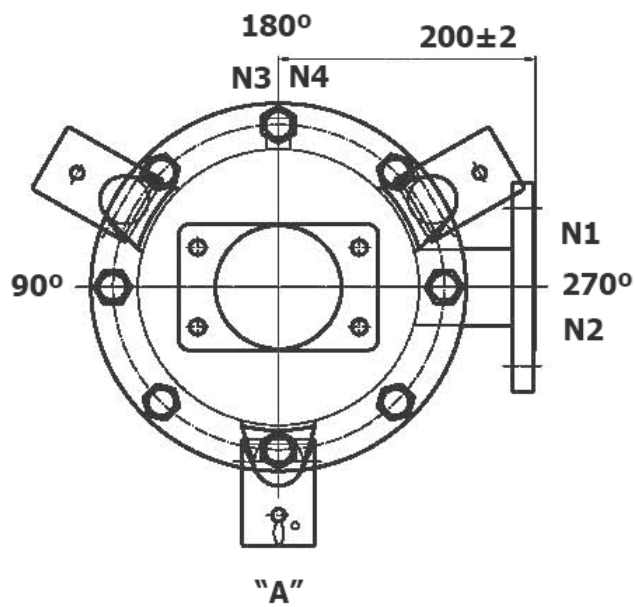
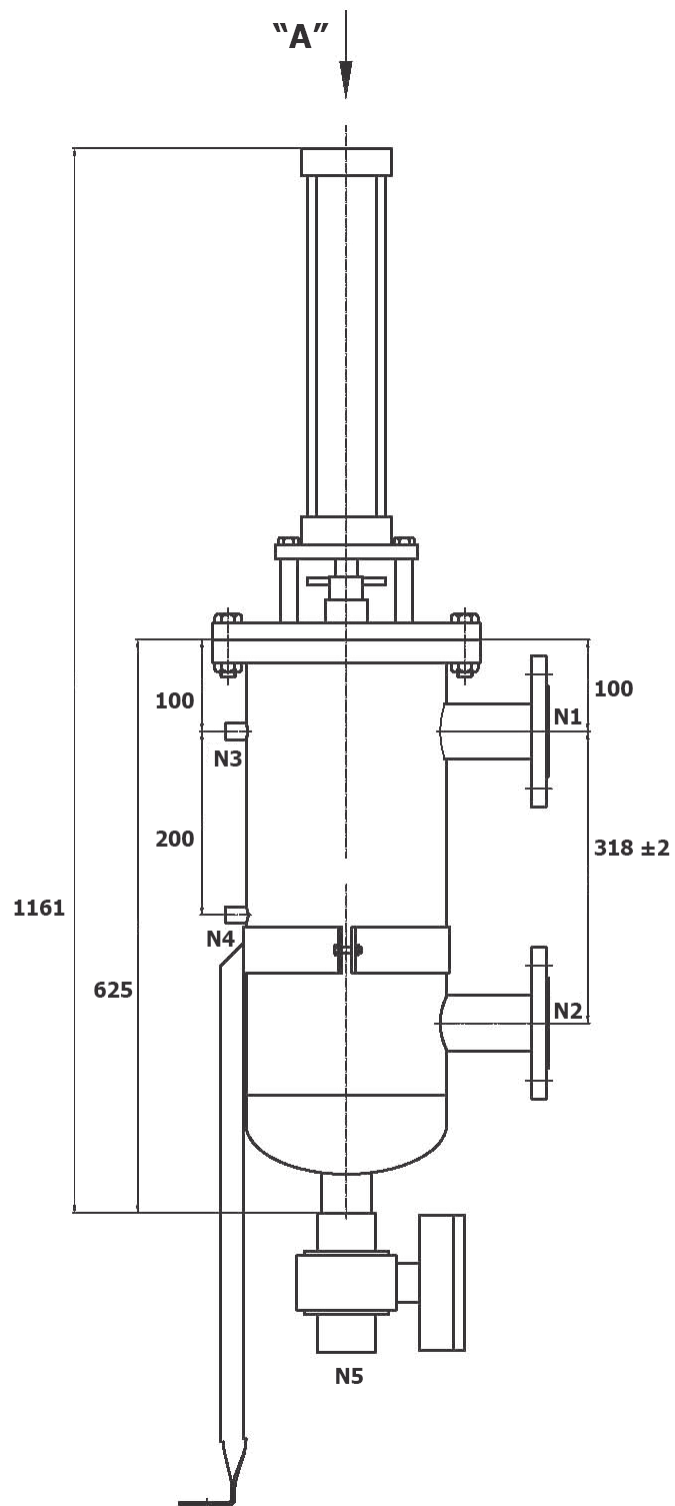
Uvitem has include in the line of products a wide range of SELF-CLEANING FILTERS



**MODEL
UVI FALN
50-304-CM-B**

FLOW from 2 to 14 m³/h





Uvitem

Ultravioleta, Tecnología
y Maquinaria, S.L.

Self-cleaning Filters

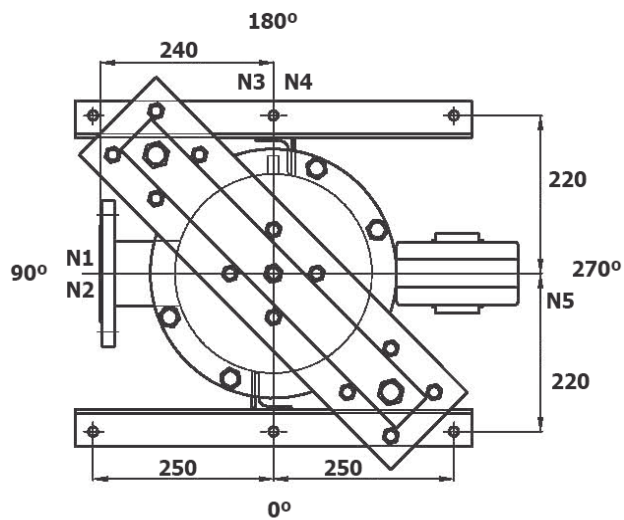
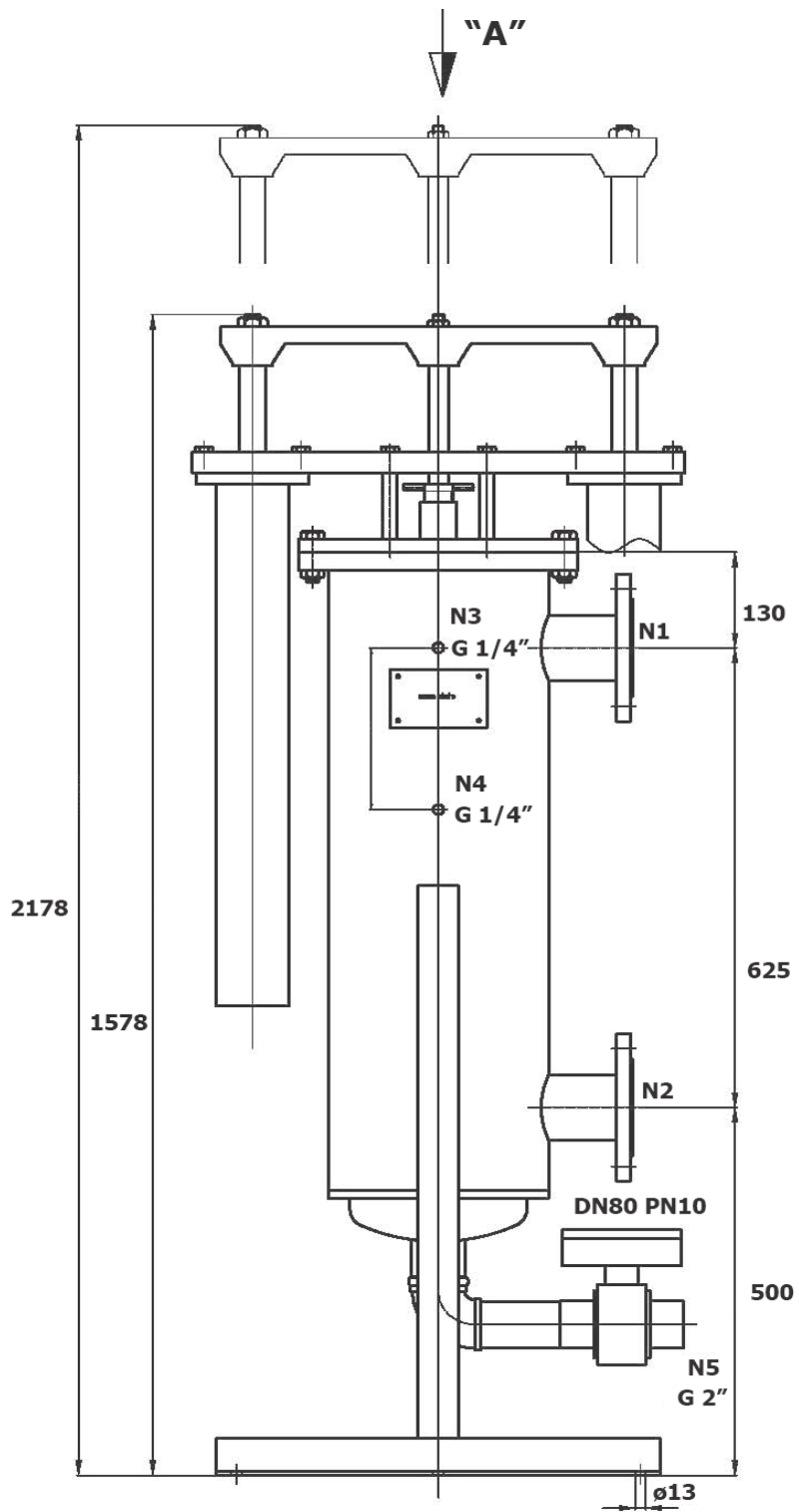
Uvitem has include in the line
of products a wide range of
SELF-CLEANING FILTERS



**MODEL
UVI FALN
80-304-CM-B**

FLOW from 6 to 45 m³/h





"A-A"