

# Uvitem

Ultravioleta, Tecnología  
y Maquinaria, S.L.

## Vibro-filter for powders

Uvitem has included in the new range of vibro-filters for powders into its production line.

**Model UVP/1**

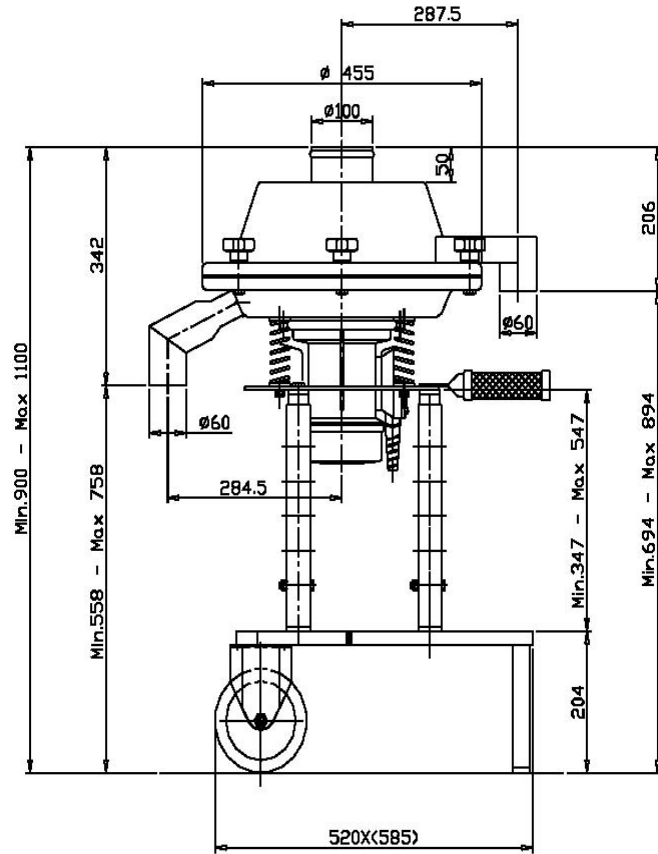
**Side outlet**

1 Sieve /1



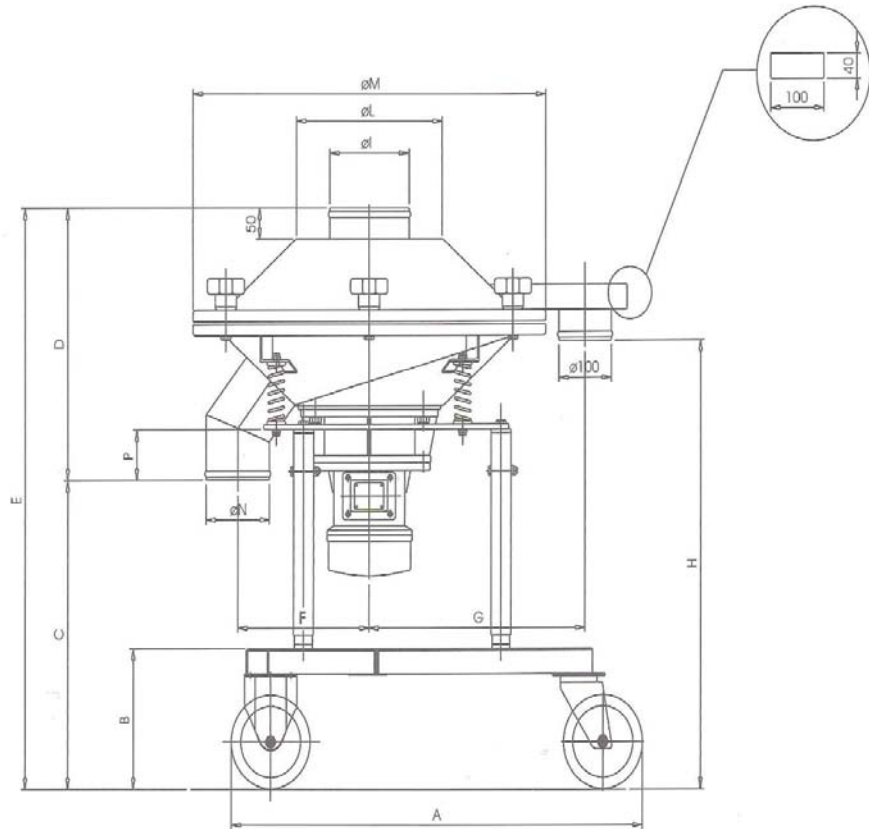
Model	Building material	Electric power	RPM	Screen surface
UVP/1-450/l	Inox. AISI 304	0,19 Kw	3.000	0,105 m <sup>2</sup>
UVP/1-600/l	Inox. AISI 304	0,42 Kw	3.000	0,265 m <sup>2</sup>
UVP/1-800/l	Inox. AISI 304	0,42 Kw	3.000	0,425 m <sup>2</sup>

# Model UVP/1-450/I



# Model UVP/1-600/I

# Model UVP/1-800/I



MODEL	SIZES														WEIGHT	POWER		
	A	B	C		D	E		F	G	H		I	L	M	N	P	Kg.	kw.
			min	max		min	max			min	max							
UVP/1-600I	900x(840)	225	492	692	433	925	1125	250	410	713	913	150	280	670	120	80	38	0,42
UVP/1-800I	900x(840)	225	482	682	494	1176	1376	250	490	760	960	150	575	825	150	90	42	0,42

## Vibro-filter for powders

Uvitem has included in the new range of vibro-filters for powders into its production line.

### Model UVP/2

Lower outlet

1 Sieve /1



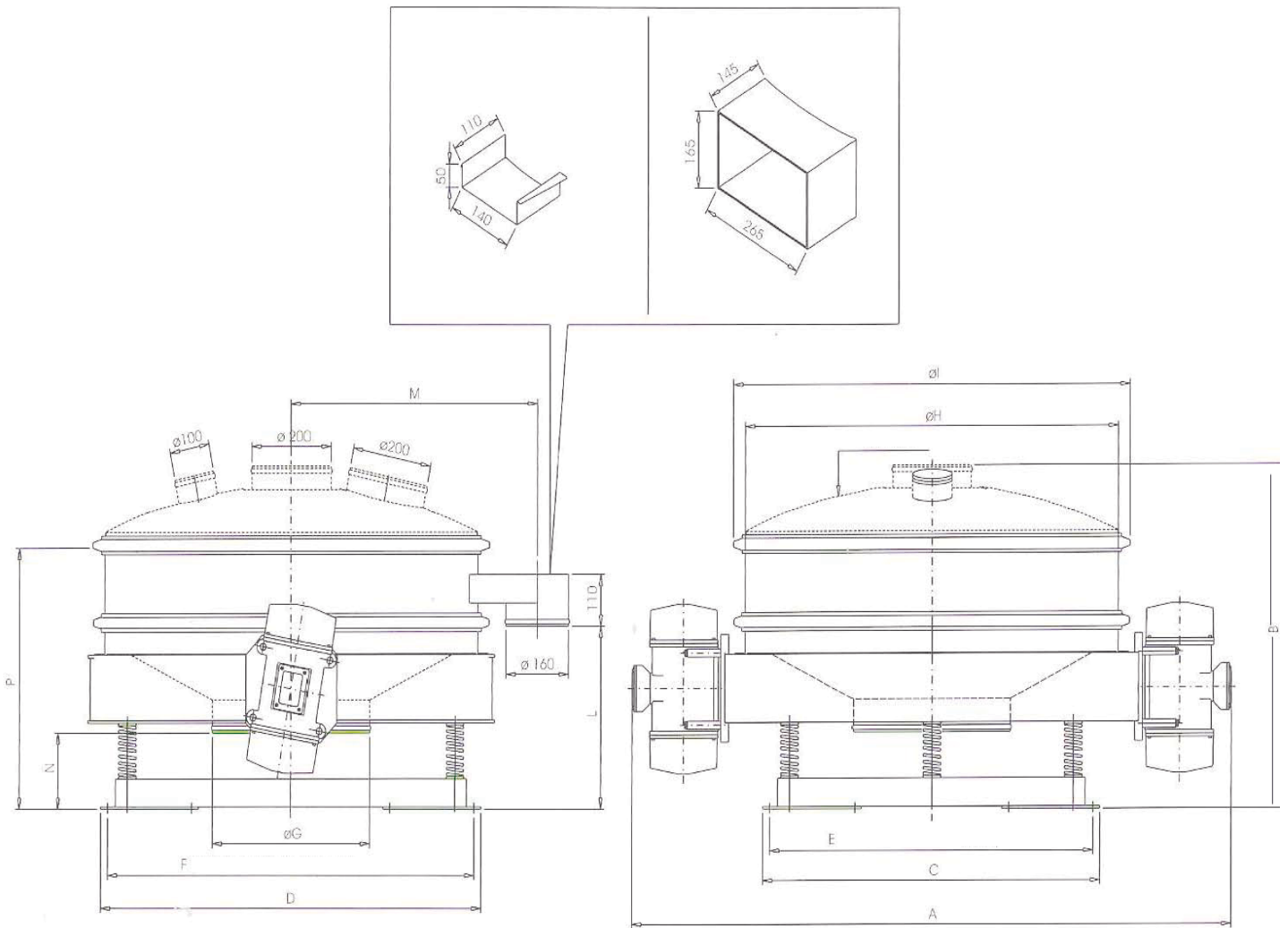
WITHOUT LID



WITH LID



Model	Building material	Electric power	RPM	Screen surface
UVP/2-450/1	Inox. AISI 304	0,36 Kw	1.500	0,105 m <sup>2</sup>
UVP/2-600/1	Inox. AISI 304	0,48 Kw	1.500	0,265 m <sup>2</sup>
UVP/2-800/1	Inox. AISI 304	0,48 Kw	1.500	0,425 m <sup>2</sup>
UVP/2-800S/1	Inox. AISI 304	0,48 Kw	1.500	0,377 m <sup>2</sup>
UVP/2-900/1	Inox. AISI 304	0,84 Kw	1.500	0,589 m <sup>2</sup>
UVP/2-1200/1	Inox. AISI 304	0,84 Kw	1.500	0,935 m <sup>2</sup>
UVP/2-1500/1	Inox. AISI 304	0,84 Kw	1.500	1,465 m <sup>2</sup>
UVP/2-1800/1	Inox. AISI 304	1,30 Kw	1.500	2,170 m <sup>2</sup>
UVP/2-2000/1	Inox. AISI 304	1,50 Kw	1.500	2,610 m <sup>2</sup>



MODEL	SIZES													WEIGHT	POWER
	A	B	C	D	E	F	G	H	I	L	M	N	P	Kg.	kw.
UVP/2-800S/I	1295	653	647,5	730	612,5	695	300	753	805	279	515	85	425	110	0,24+0,24
UVP/2-900/I	1530	735	858	969	823	934	400	950	1010	391	627	164	560		0,42+,042
UVP/2-1200/I	1745	810	1045	1185	1010	1150	400	1165	1225	391	733	147	587		0,42+0,42