

Vibro-filter for liquids

Uvitem has included in the new range of vibro-filters for liquids into its production line.

Model UVL/1

It can be used with multiple sieves:

1 sieve (/1)
2 sieves (/2)
3 sieves (/3)



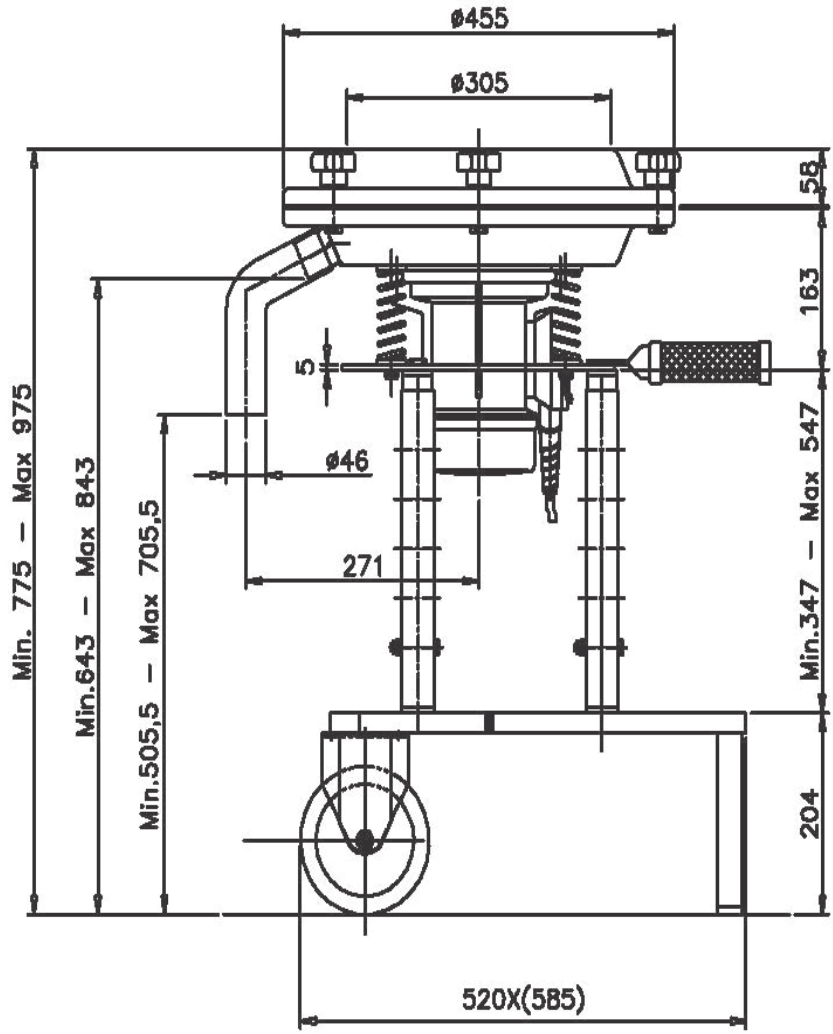
Lower lid (TB)



Upper lid (TA)



Model	Building material	Electric power	RPM	Screen surface
UVL/1-450/1 TB	Inox. AISI 304	0,19 Kw	3.000	0,105 m ²
UVL/1-450/2 TB	Inox. AISI 304	0,19 Kw	3.000	0,105 m ²
UVL/1-450/3 TB	Inox. AISI 304	0,19 Kw	3.000	0,105 m ²
UVL/1-450/1 TA	Inox. AISI 304	0,19 Kw	3.000	0,105 m ²
UVL/1-450/2 TA	Inox. AISI 304	0,19 Kw	3.000	0,105 m ²
UVL/1-450/3 TA	Inox. AISI 304	0,19 Kw	3.000	0,105 m ²



Vibro-filter for liquids

Uvitem has included in the new range of vibro-filters for liquids into its production line.

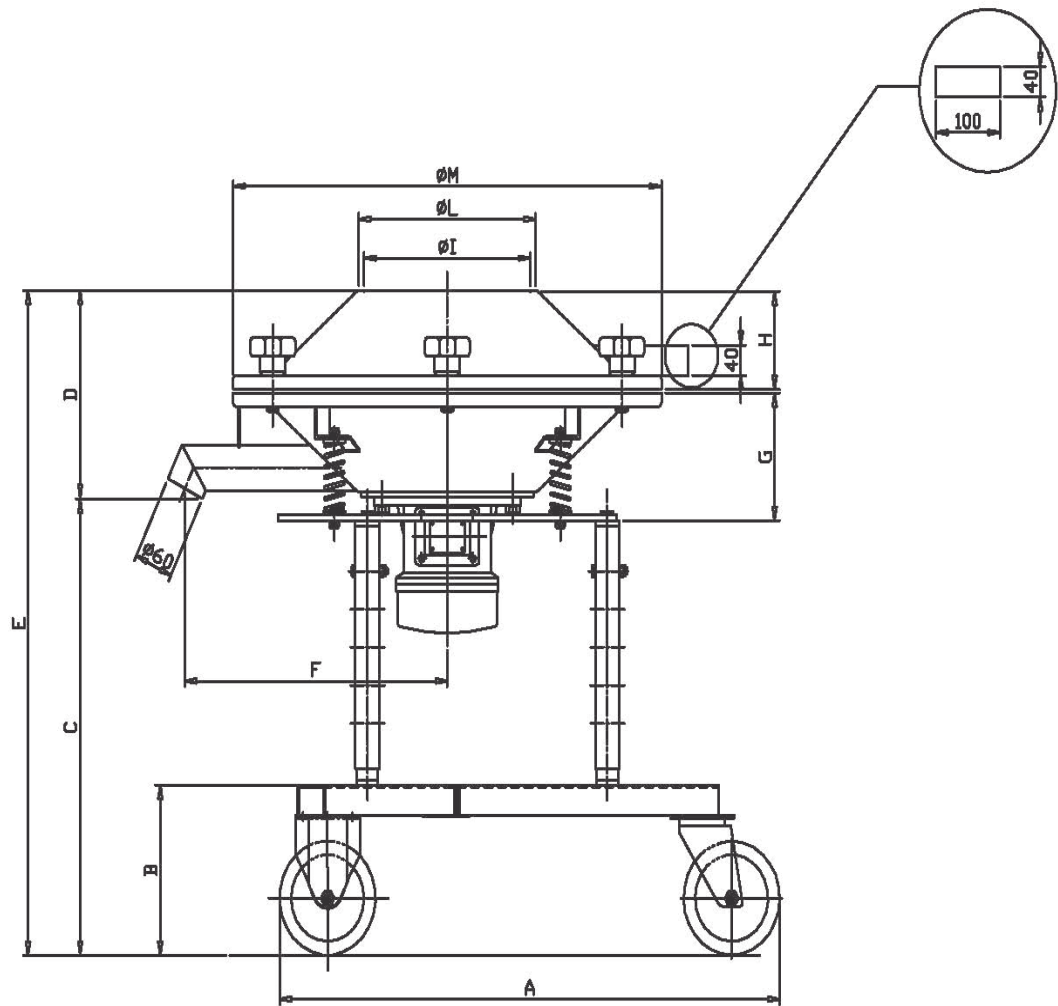
Model UVL/2

It can be used with multiple sieves:

1 sieve (/1)
2 sieves (/2)
3 sieves (/3)



Model	Building material	Electric power	RPM	Screen surface
UVL/2-600/1	Inox. AISI 304	0,42 Kw	3.000	0,265 m ²
UVL/2-600/2	Inox. AISI 304	0,42 Kw	3.000	0,265 m ²
UVL/2-600/3	Inox. AISI 304	0,42 Kw	3.000	0,265 m ²
UVL/2-800/1	Inox. AISI 304	0,42 Kw	3.000	0,425 m ²
UVL/2-800/2	Inox. AISI 304	0,42 Kw	3.000	0,425 m ²
UVL/2-800/3	Inox. AISI 304	0,42 Kw	3.000	0,425 m ²



MODEL	SIZES											WEIGHT Kg.	POWER kw.		
	A	B	C		D	E		F	G	H	ØI			ØL	ØM
			min	max		min	max								
UVL/2-600	900x(840)	225	600	800	275	875	1075	410	168	129	260	280	670	38	0,42
UVL/2-800	900x(840)	225	626	826	300	926	1126	405	173	144	545	575	825	42	0,42

Uvitem

Ultravioleta, Tecnología
y Maquinaria, S.L.

Vibro-filter for liquids

Uvitem has included in the new range of vibro-filters for liquids into its production line.

Model UVL/3



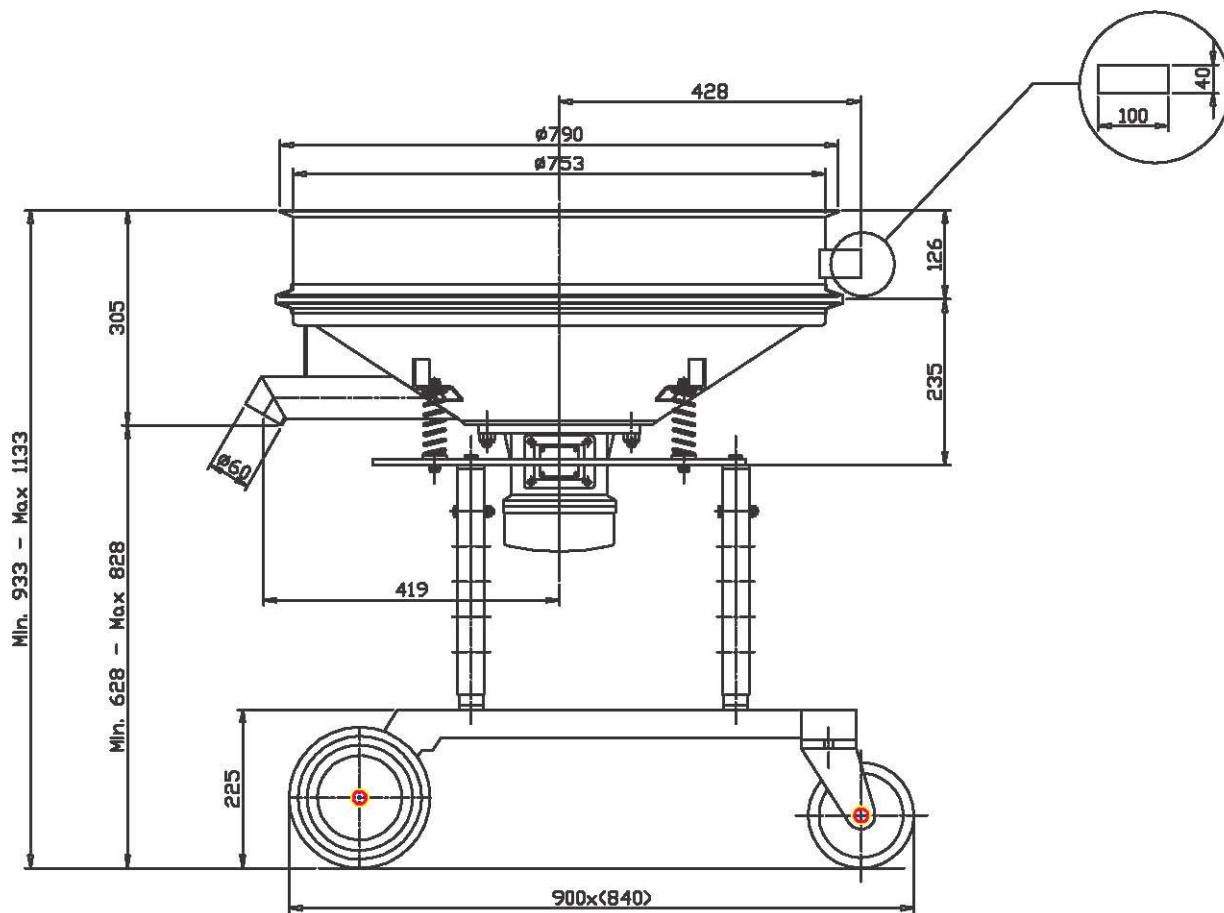
It can be supplied
with lid

It can be used with
multiple sieves

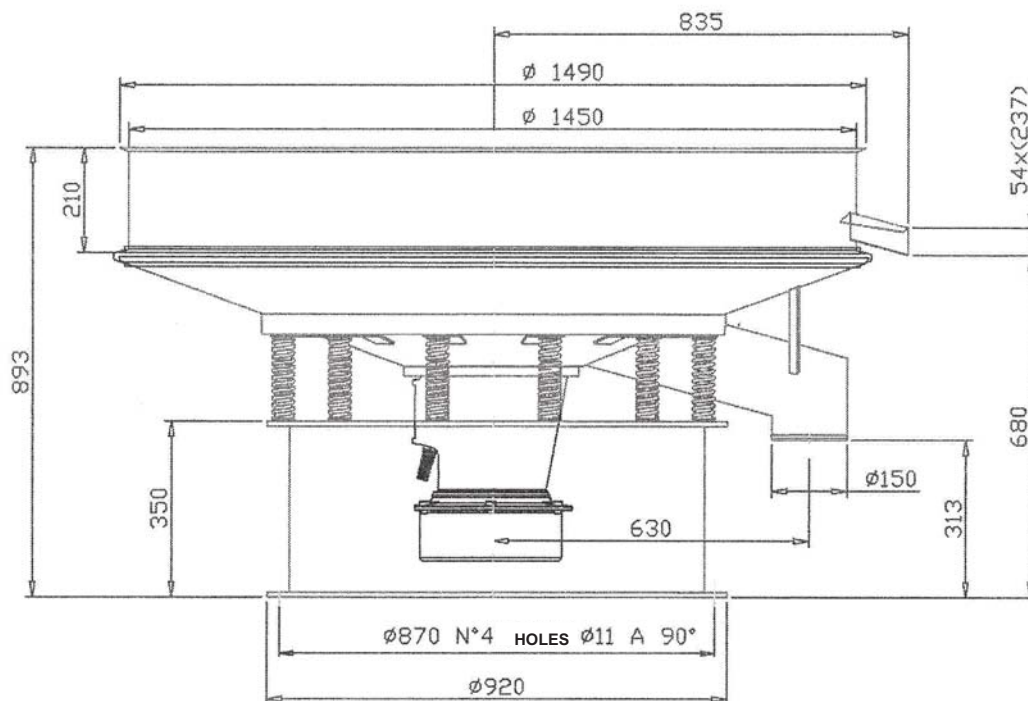


Model	Building material	Electric power	RPM	Screen surface
UVL/3-900/1	Inox. AISI 304	0,52 Kw	3.000	0,588 m ²
UVL/3-1200/1	Inox. AISI 304	2,00 Kw	3.000	0,935 m ²
UVL/3-1500/1	Inox. AISI 304	3,00 Kw	3.000	1,575 m ²

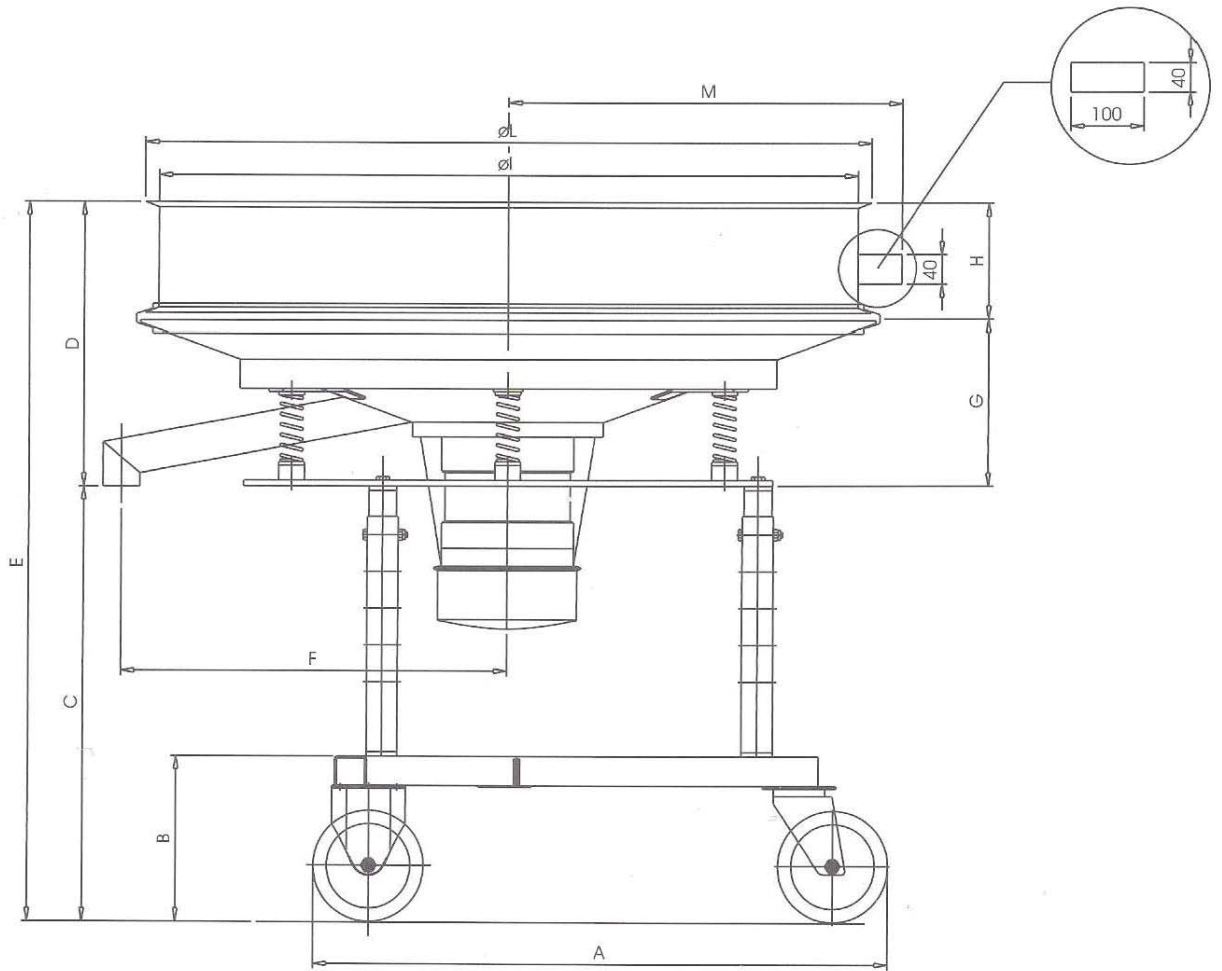
Model UVL/3-800S/I



Model UVL/3-1500/I



Model UVL/3-900/1
Model UVL/3-1200/1



MODEL	SIZES											WEIGHT	POWER		
	A	B	C min	C max	D	E min	E max	F	G	H	øI	øL	M	Kg.	kw.
UVL/3-900/1	900x(840)	225	600	800	375	975	1175	525	218	155	950	990	535	100	0,52
UVL/3-1200/1	900x(840)	225	585	785	430	1015	1215	625	240	185	1162	1205	638	145	2