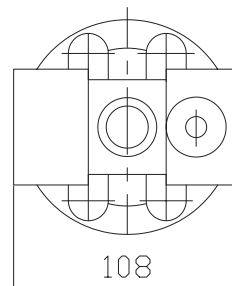


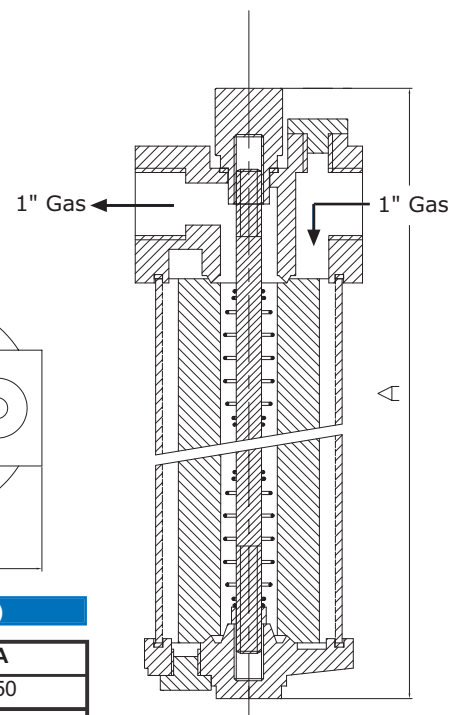
Cartridge Holder

Uvitem has included in the new line of products the cartridge holder cune-type with the following features.



Dimensions (mm)

Model	A
1\"C (1 cartridge)	350
1\"L (2 cartridges)	600



Technical Features

TYPE	1\"S	1\"L
Inlet and outlet	1\" gas female	
Max. Pressure	6 kgs/cm ² 120° C	
Net Weight	5 kgs. - 5'5 kgs	
MATERIAL	IRON	
Head and lid	cast iron	
Cylinder	carbon steel	
Cylinder joints	teflón	
Not and shaft	carbon steel	
Joint not	copper	
Cartridge guide spring	stainless steel AISI 304	

Flow between 3 and 6 m³ depending on viscosities